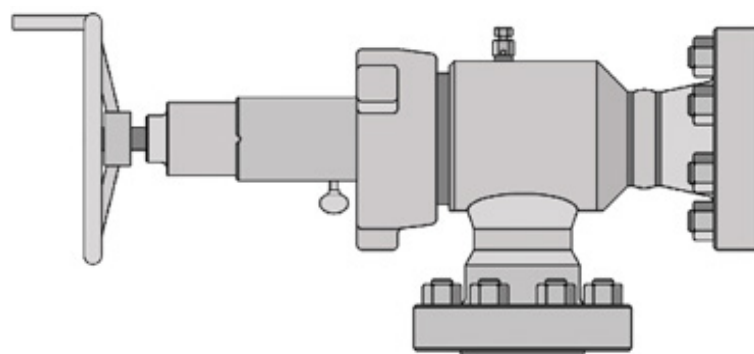


# Type 30 Choke (Positive + Adjustable)

The AXON Type 30 Choke is available in a positive and adjustable (manual) design. The positive choke has a fixed size orifice and is used primarily in production applications. The adjustable choke has a manually operated needle or stem, which provides variable flow rates. Moreover, a visual indicator provides an indication of approximate orifice size for flow rate calculations.



## SPECIFICATIONS

- The Type 30 choke is available in three basic sizes, a 1" (25.4mm) maximum orifice, 2" (50.8mm) maximum orifice, and a 3" (76.2mm) maximum orifice
- Pressure ranges from 2000 to 15,000 psi are available
- Inlet and outlet connections up to 4-1/16" bore can be provided
- The positive and adjustable chokes utilize a replaceable threaded seat or bean that is interchangeable between the maximum orifice ranges of 1", 2" or 3"
- A bonnet assembly is retained to the choke body by an acme-threaded nut with integral external lugs
- An external pressure relief valve allows release of any trapped body pressure prior to bonnet removal
- Available in all temperature classes, material classes, and PSL levels according to ISO 10423 (API 6A)

## FEATURES / BENEFITS

- Designed and manufactured to ISO 10423 (API 6A) for Wellhead and Christmas Tree Equipment
- Positive and Adjustable designs available in 1", 2" or 3" maximum orifices
- Inlet and outlet sizes up to 4-1/16" bore in a 90° body configuration
- 2,000 to 15,000 psi maximum working pressures
- Adjustable design uses a visual indicator showing orifice size
- Body relief valve provides venting of body pressure prior to bonnet removal
- Forged materials rated for H2S service per ISO 15156-1 (NACE MR-0175)